

## PRODUCT OVERVIEW

The **SunBoss** double fascia finishes a roller blind system perfectly, so residential or commercial users can achieve a finished look across the entire window. Easy to work with - the double fascia can be easily fabric wrapped, so it matches the blind colour perfectly.

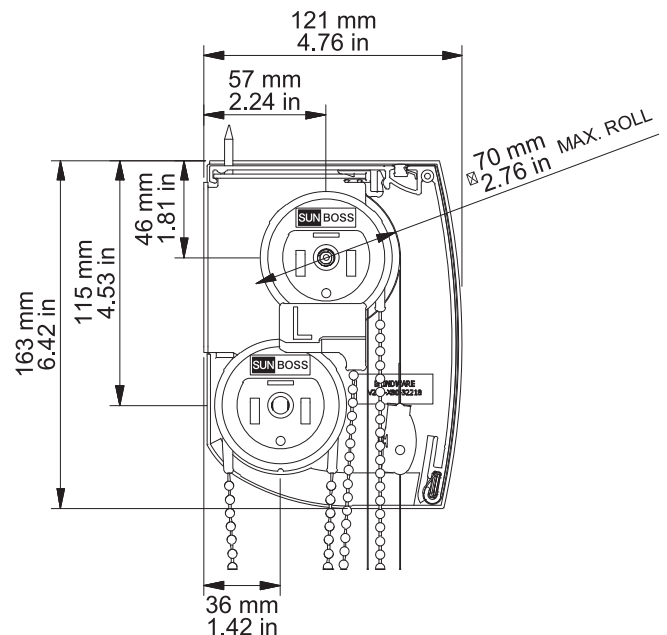




### AESTHETIC FEATURES

- The fascia can be fabric wrapped to create a clean look across the entire blind.
- Perfectly co-ordinating end covers.
- Base rails fully retract inside the fascia profile giving a clean, minimalist appearance.
- Can be face or side mounted to give consumers the choice on the look they want.

### FUNCTIONAL FEATURES

- Works with existing SunBoss parts, including compact double bracket. Centre bracket option available. Low inventory load.
- Special noise reduction technology to ensure smoother, quieter operation.



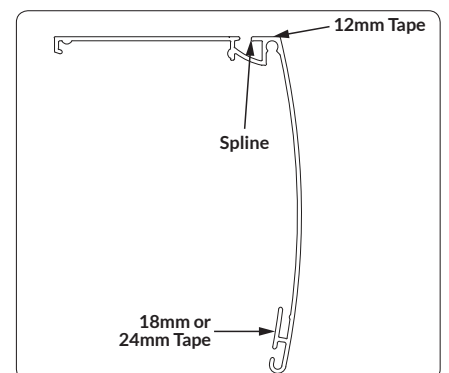
DOUBLE FASCIA OPTIONS				
COMPONENT	COLOUR			
	WHITE	CREAM	BLACK	GREY / NATURAL ANODISED
<b>PARTS</b>				
Double Fascia 	50632001-L	50632003-L	50632890-L	50632901-L (Natural Anodised)
Covers 	506362001	506362003	506362830	506362890 (Grey)
<b>ACCESSORIES</b>				
Flange Clip	N/A	N/A	N/A	506331830 (Grey)
Fabric Clip	N/A	N/A	N/A	506332830 (Grey)

BRACKET DETAILS					
COMPONENT	COLOUR				
	WHITE	CREAM	BEIGE	GREY	BLACK
<b>PARTS</b>					
End Bracket 	504252001	504252003	504252711	504252830	504252890
Centre Compact 	504482001	504482003	504482711	504482830	504482890
Top Mount Support Bracket 	506341001	506341003	N/A	506341830	506341890

**TECHNICAL INFORMATION**

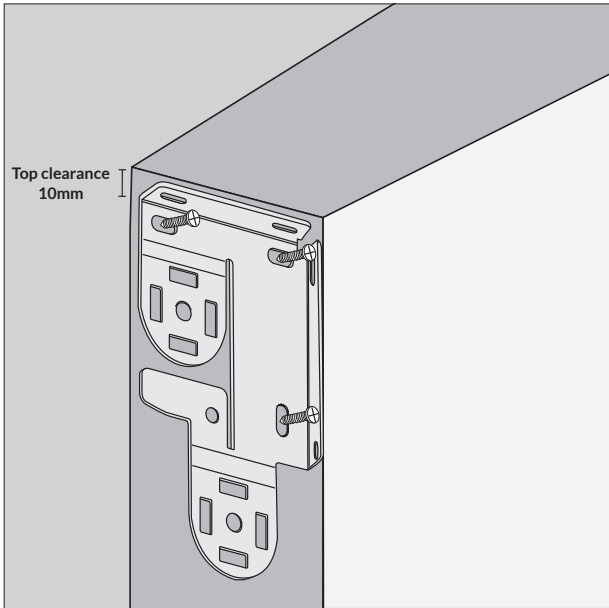
Deductions with Covers Fitted:..... +4mm tube deduction  
 Max recommended bracket spacing: .....300cm / 3mtrs  
 Length of fabric for wrapping:.....254mm (10 inches)  
 Size of spline needed at top: .....10mm  
 Recommended fabric clip spacing: .....500mm

**APPLYING DOUBLE SIDED TAPE**

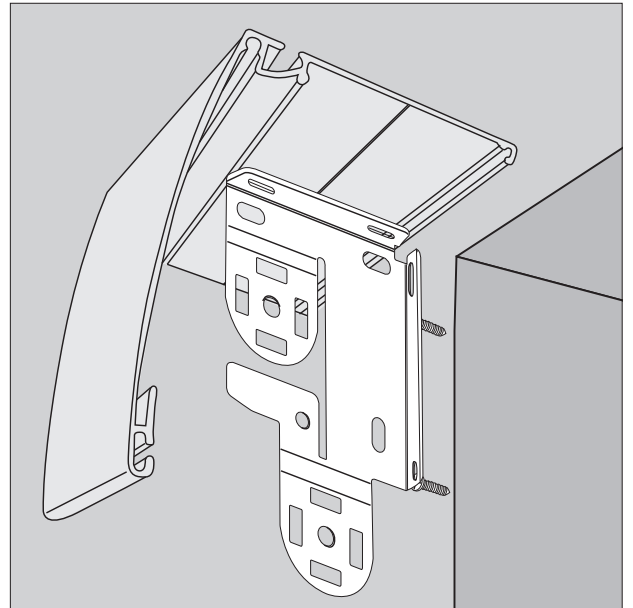


RECOMMENDED FITTING INSTRUCTIONS

SIDE MOUNT



TOP MOUNT



CHAIN FEED INSTRUCTIONS

