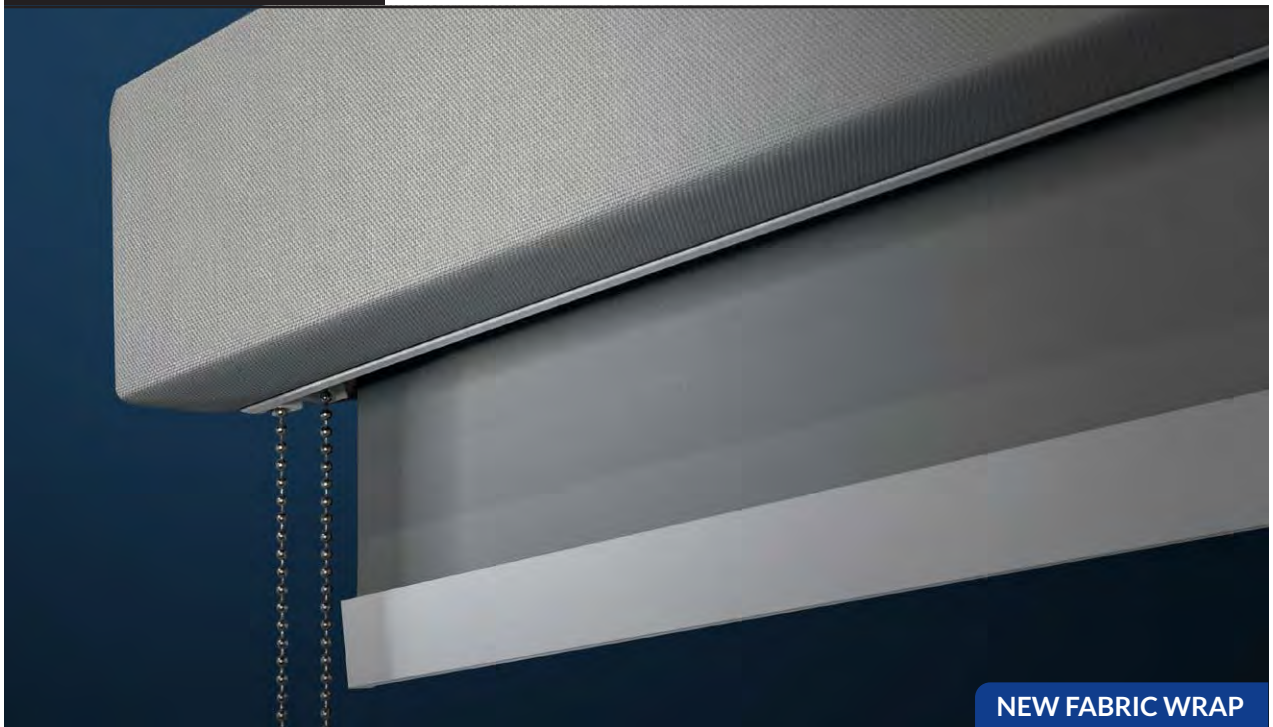


PRODUCT OVERVIEW



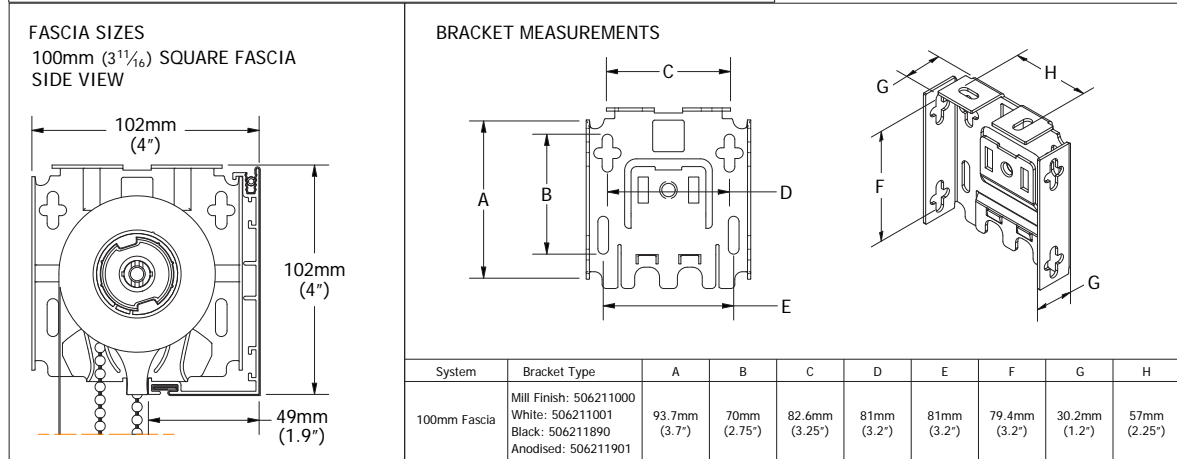
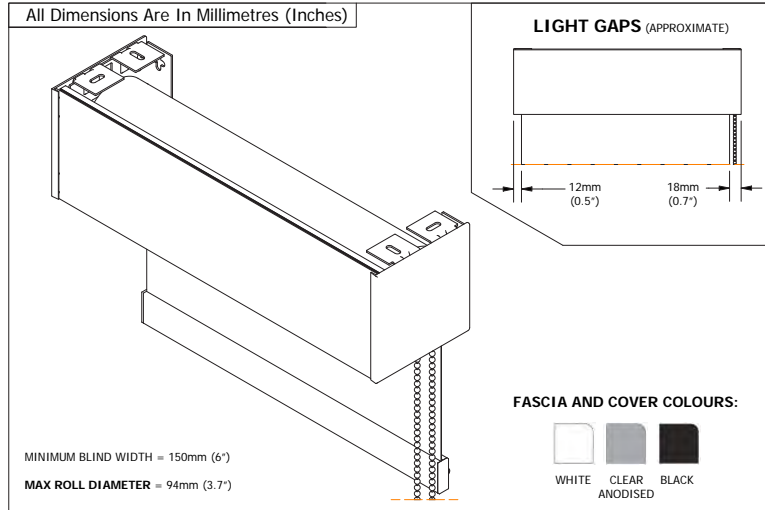
The **SunBoss** 100mm (4") fascia has been designed from the ground up to give users a new level of performance and appearance. Now designed to be easily fabric wrapped, the fascia profile can coordinate perfectly with the chosen blind fabric for a perfectly seamless decorator look. The larger 100mm profile size also allows for larger roller blinds to be fitted behind, including using 63mm (2.5") tube and 45mm tubular motors. There is no notching required during manufacture and there is a wide range of centre bracket options available. Of course, the 100mm fascia works perfectly with **SunBoss** chain operated clutches, **ZeroGravity** chainless and motorised roller blinds.

FEATURES & BENEFITS

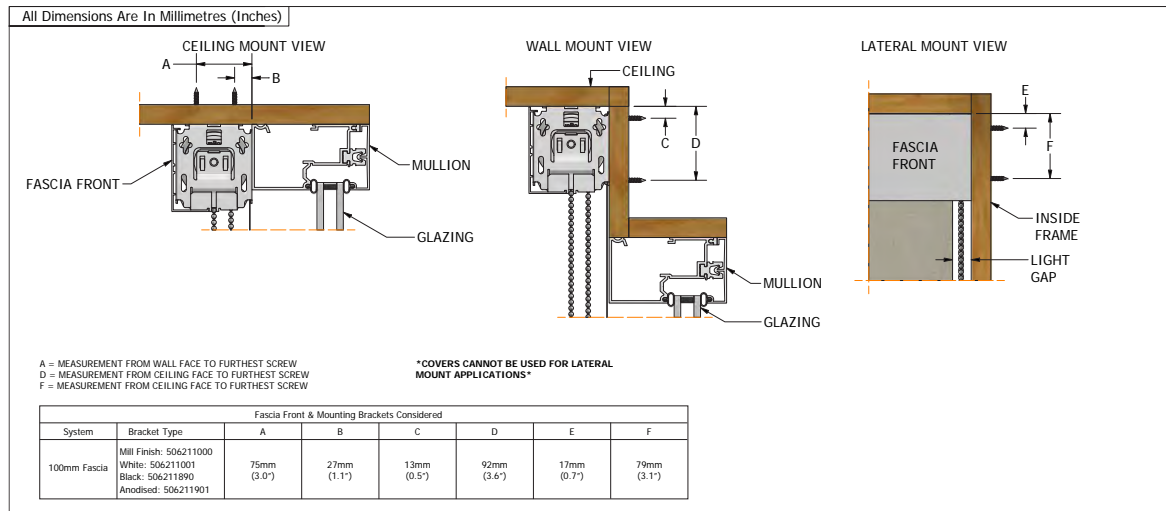
FLEXIBLE, HIGH QUALITY BRACKETS	<ul style="list-style-type: none"> • Snap on mounting brackets can be ceiling, wall or laterally mounted
FABRIC WRAP OPTION	<ul style="list-style-type: none"> • Front profile can be wrapped with any fabric to match the roller blind fabric- quickly and easily, without using double sided tape. • Wrapping is completely seamless- no visible gaps, bulges or lines. • Simple method to fix the fabric securely • Width of fabric required for wrapping = 210mm
VERSATILE BLIND CONFIGURATIONS	<ul style="list-style-type: none"> • Blind drive can be installed on either mounting bracket.
COLOUR MATCHING BRACKET COVERS	<ul style="list-style-type: none"> • Provides a finished look for outside wall mounted applications (colours match mounting brackets and bottom bar end caps)
CLIP ON DESIGN	<ul style="list-style-type: none"> • The Fascia securely locks onto each bracket and can be removed to allow access to the blind. Also can be mounted reverse roll.
CHAIN GUARD DESIGN	<ul style="list-style-type: none"> • Clip on chain diverter allows chain to hang away from the fascia and maintains a smooth feel during operation. Notching the fascia is not required.
WIDE RANGE OF LIFT OPTIONS	<ul style="list-style-type: none"> • Blinds can be operated using: <ul style="list-style-type: none"> - SunBoss clutch - ZeroGravity - Spring Blind - Motorised
MULTI-LINKED	<ul style="list-style-type: none"> • SunBoss Multi-Link system is compatible with the 100mm Fascia using same components as open roll blinds. Allows a group shades to be linked together and driven by a single clutch or motor. Each link can be adjusted to align and level the bottom bars together. All brackets can be covered by a single fascia.
AUTOMATION OPTIONS	<ul style="list-style-type: none"> • Allows for motorised controls with wireless remotes, switches or other smart devices



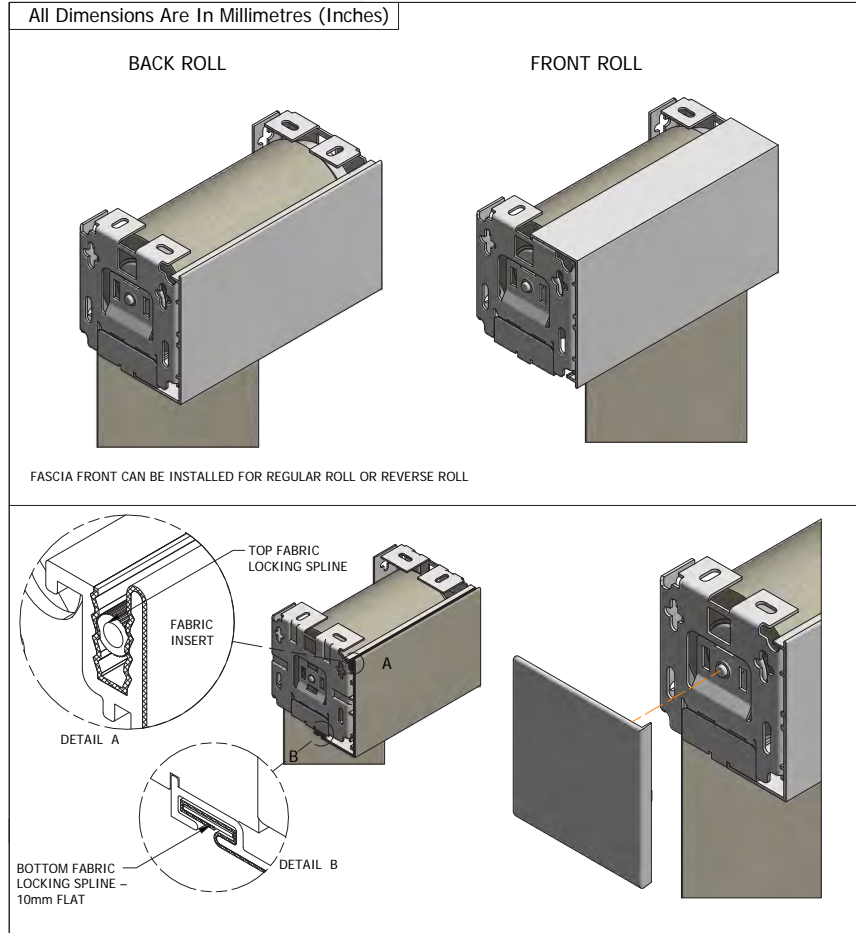
DIMENSIONS



FIXING DIMENSIONS



CONFIGURATIONS



ORDERING INFORMATION

	100mm Square Fascia	4mm Fabric Locking Tube	End Bracket	Centre Link Bracket	Bracket Cover, Square	Chain Diverter Kit	Dummy Diverter
Mill Finish	506211000	N/A	N/A	N/A	N/A	N/A	N/A
White	506211001	N/A	506241001	506244001	506261001	506291001	5061999001
Black	506211890	506334890	506241890	506244890	506261890	506291890	5061999890
Clear Anodised (Grey)	506211901	N/A	506241830	506244830	506261830	506291830	5061999830
Pack Qty	6 Lengths	200 mtrs	20pcs	10pcs	40pcs	20pcs	50pcs

FABRIC WRAPPING

See the QR Code for an animation illustrating how the newly designed fabric wrapping functions.

