

PRODUCT OVERVIEW



The **SunBoss** 80mm Cassette System has been designed for superior light blocking performance. Like all products in the **SunBoss** range, it is modular by design, offering more options and benefits for users and installers.

The 80mm Cassette System incorporates a modern square lined shape and features 2 piece cassette and 2 piece side channels. The cassette can be easily fitted using inside or outside mounting. The cassette features plastic wrap around end covers or alternatively metal end covers perfectly matched to the finish of the headbox and side channel profiles.

FEATURES & BENEFITS

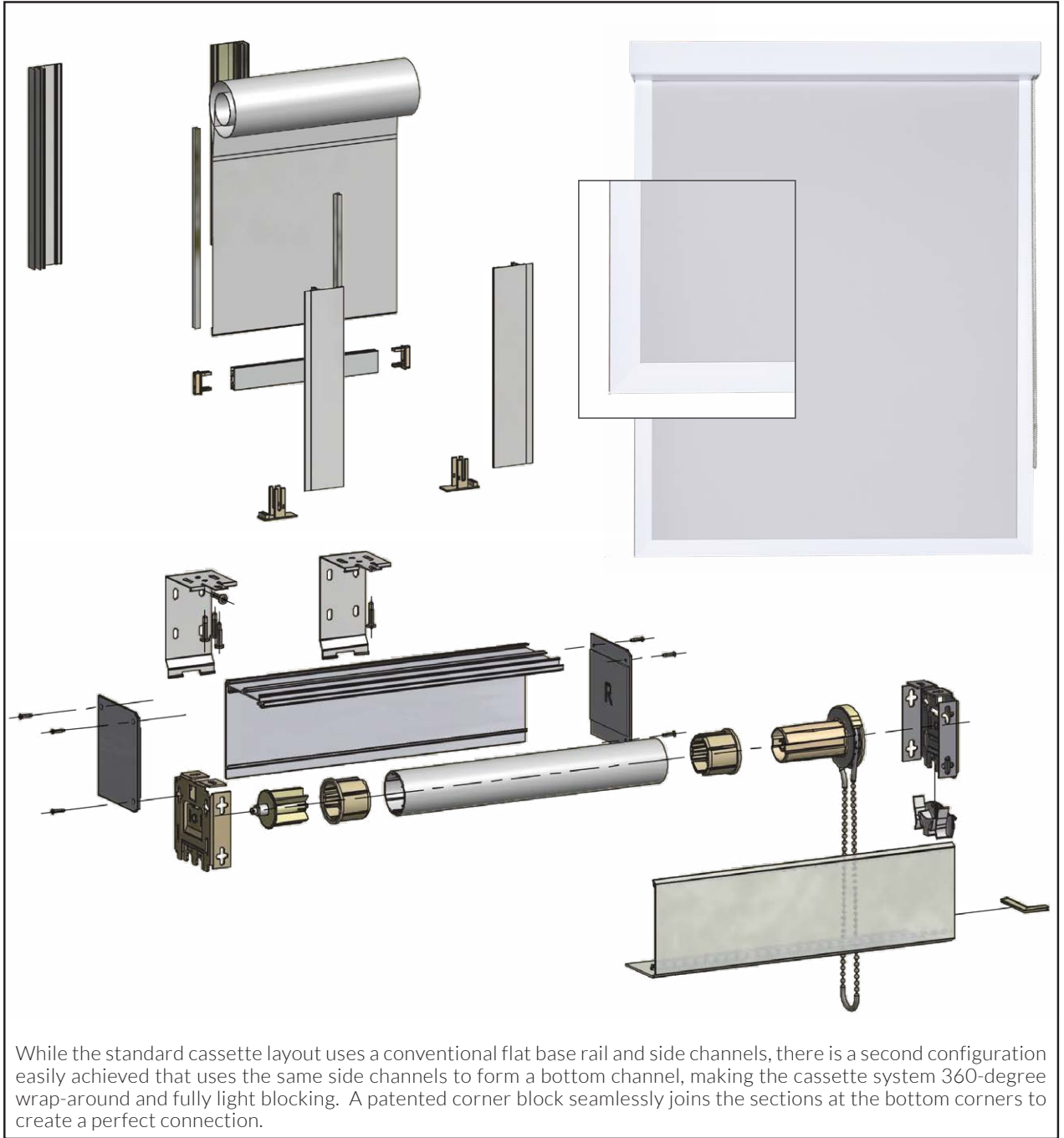
LIGHT BLOCKING DESIGN	<p>Superior light blocking performance through:</p> <ul style="list-style-type: none"> • Wrap around side channel option • Felt lined side channels • Fully overlapping design
VERSATILITY	<ul style="list-style-type: none"> • Use as cassette only or cassette with side channels • Bracket or direct mounting options • Suitable for inside or outside mounting
WIDE RANGE OF LIFT OPTIONS	<ul style="list-style-type: none"> • Chain, Chain plus spring assist • ZeroGravity chainless • Motorised (AC or DC) operation • Spring return blind
MULTI-LINKED	<ul style="list-style-type: none"> • Centre link brackets options for multi linked or pin to pin connection • Double centre channel option standard
COLOURS AVAILABLE	<ul style="list-style-type: none"> • 3 colours specially formulated colours: <ul style="list-style-type: none"> - Matte White - Matte Black - Clear Anodised • Mill finish available for custom colours

BETTER BY DESIGN

Closure problems caused by excessive powder coat build-up are a thing of the past. The unique clasp design between the front and rear cassette profiles ensures ease of assembly no matter how much powder coat has been applied, even if sections have been double coated for colour change.



COMPONENTRY



While the standard cassette layout uses a conventional flat base rail and side channels, there is a second configuration easily achieved that uses the same side channels to form a bottom channel, making the cassette system 360-degree wrap-around and fully light blocking. A patented corner block seamlessly joins the sections at the bottom corners to create a perfect connection.



DEDUCTIONS



Clutches: Use 32mm, 38mm FastRise, 38mm Direct Drive and 38mm Geared

Motorised: Motolux Gen 3 motors – add 3mm to clutch end only

Pin Ends: Use standard

Tube Adapters: Use 43mm and 50mm as needed

Covers: Refer to below tables

NOTE: DIMENSIONS "F1" RELATES TO RECOMMENDED FABRIC DEDUCTIONS.

CASSETTE ONLY

Plastic end covers

Tube Dia.	A	B	F1
38mm	19mm	13mm	33mm
43mm	21mm	14mm	33mm
50mm	19mm	13mm	33mm

DIMENSION 'B'

TIGHT	IDEAL	LOOSE
13mm		19mm
14mm		21mm
13mm		19mm

CASSETTE ONLY

Metal end covers

Tube Dia.	A	B	F1
38mm	21mm	15mm	37mm
43mm	23mm	16mm	37mm
50mm	21mm	15mm	37mm

DIMENSION 'B'

TIGHT	IDEAL	LOOSE
15mm		21mm
16mm		23mm
15mm		21mm

CASSETTE with SIDE CHANNELS

Plastic end covers

Tube Dia.	A	B	F1
38mm	19mm	13mm	46mm
43mm	21mm	14mm	46mm
50mm	19mm	13mm	46mm

DIMENSION 'B'

TIGHT	IDEAL	LOOSE
13mm		19mm
14mm		21mm
13mm		19mm

CASSETTE with SIDE CHANNELS

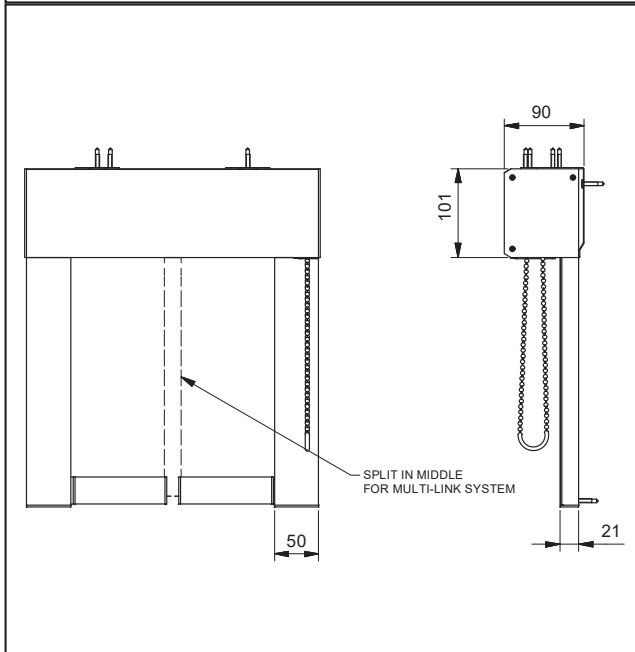
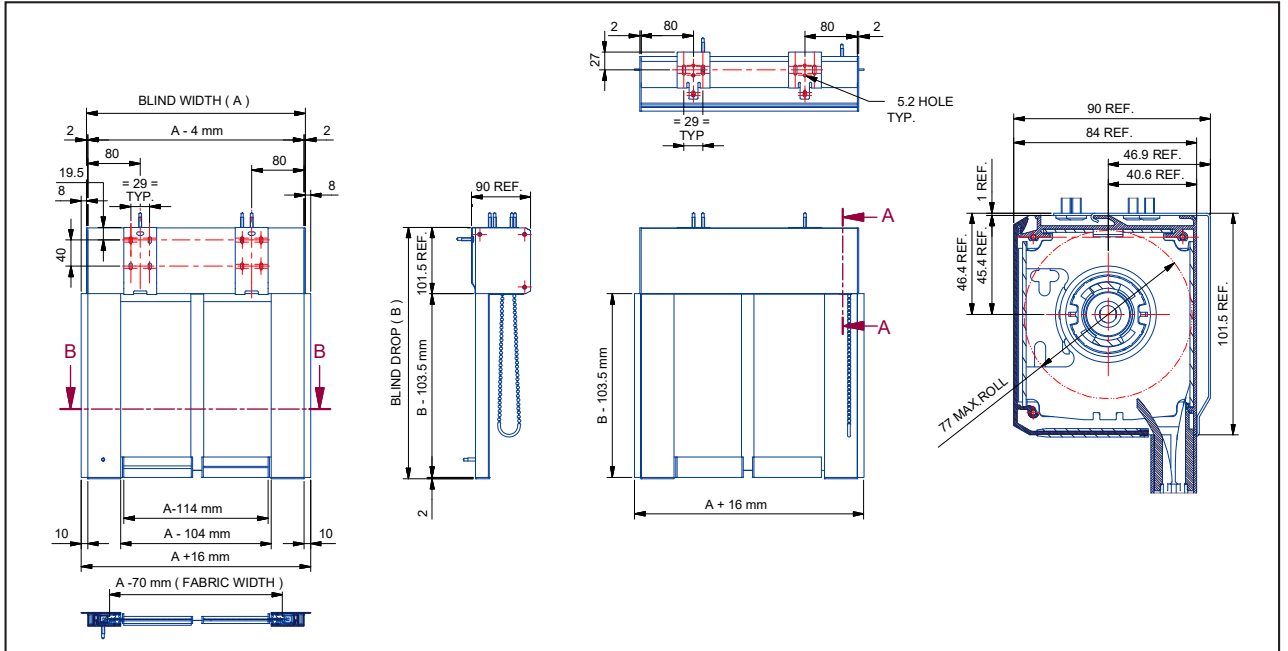
Metal end covers

Tube Dia.	A	B	F1
38mm	21mm	15mm	46mm
43mm	23mm	16mm	46mm
50mm	21mm	15mm	46mm

DIMENSION 'B'

TIGHT	IDEAL	LOOSE
13mm		19mm
14mm		21mm
13mm		19mm

DIMENSIONS



MOUNTING

The cassette is designed to easily install both inside or face mounted options, a double centre channel is available as standard to facilitate the installation of linked or pin to pin blinds.

USEFUL LINKS



INSTALL VIDEO
FACE MOUNT



INSTALL VIDEO
INSIDE MOUNT




FABRIC WRAPPING



LANDING PAGE

ORDERING INFORMATION - Base Product Numbers

COMPONENT	COLOUR							MAXIMUM ROLL DIA. (mm)
	MILL FINISH	WHITE	CREAM	BEIGE	GREY	BLACK	ANODISED	
Front & Back Cassette Profile 	506514000	506514001	N/A	N/A	N/A	506514890	506514901	72mm
Front and Back Side Channel 	506525000	506525001	N/A	N/A	N/A	506525890	506525901	N/A
Overlapping Front and Back Side Channel 	506526000	506526001	N/A	N/A	N/A	506526890	506526901	N/A
Middle Channel 	506527000	506527001	N/A	N/A	N/A	506527890	506527901	N/A
80mm Universal End Bracket 	N/A	506550001	N/A	N/A	506550830	506550890	N/A	72mm
Centre Link Bracket and Locking Plate 	N/A	506555001	N/A	N/A	506555830	506555890	N/A	72mm
End Cover with Screws 	N/A	506562001	N/A	N/A	506562830	506562890	N/A	N/A
Metal End Cover with Screws 	506561000	506561001	N/A	N/A	N/A	506561890	506561901	N/A
Chain Cut Out Cover 	N/A	506565001	N/A	N/A	506565830	506565890	N/A	N/A
Corner Block 	N/A	N/A	N/A	N/A	506580830	N/A	N/A	N/A
Fabric Funnel 	N/A	N/A	N/A	N/A	506584830	N/A	N/A	N/A
End Cap 	N/A	506583001	N/A	N/A	506583830	506583890	N/A	N/A
C-Shape Mounting Bracket 	N/A	506540001	N/A	N/A	506540830	506540890	N/A	N/A
Schlegel Polybond 	N/A	N/A	N/A	N/A	50692830	50692890	N/A	N/A

